

Features

- 10.1" Food Industrial Panel PC
- Flat front panel touch screen
- Fanless design
- Intel Celeron N2930 Processor
- Onboard 4GB DDR 3L 1600 MHz
- Wide range DC 9~36V power input

Specifications

System	
CPU	Onboard Intel Celeron N2930 Processor (2M Cache, 1.83GHz)
System Chipset	SoC
Memory	Onboard 4GB DDR3L SDRAM

IO Port	
USB	2 x USB 3.0 type A
Serial / Parallel	1 x RS-232/422/485 DB-9, default RS-232(COM1) 1 x RS-232 DB-9(COM2)
LAN	2 x GbE LAN RJ-45
Audio	1 x Line Out
Power	1 x 3-pin DC Power input terminal 1 x 2-pin connector for power on/off button

Option	
VESA Stand	
4G LTE/Wi-Fi/BT	
4 x USB 2.0 (TB-528U4)	
4 x USB 2.0 + 1 x Mini PCIe + 1 SIM slot (TB-528U4ME1)	
1 x COM + 2 x USB 2.0 (TB-528C1U2)	
1 x COM + 2 x USB 2.0 + 1 x Mini PCIe + 1 x Power Button (TB-528C1U2P1)	
2 x COM(RS-232) (TB-528C2)	
2 x COM(RS-232) + 1 x Mini PCIe slot + 1 x SIM slot (TB-528C2ME1)	
2 x COM(RS-232/485, isolated) (TB-528C2I)	
2 x CAN (TB-528CAN2)	
1 x LAN + 2 x USB 2.0 (TB-528E1U2)	
1 x LAN + 2 x USB 2.0, 25W (TB-528NE1U2POE)	
1 x LAN + 2 x USB 2.0, 25W (TB-528E1U2POE)	
UPS Battery 21W/10.8Wh/1.95Ah(3S1P)	
<i>System is only allowed to build in either I/O board TB-528 series or UPS battery</i>	

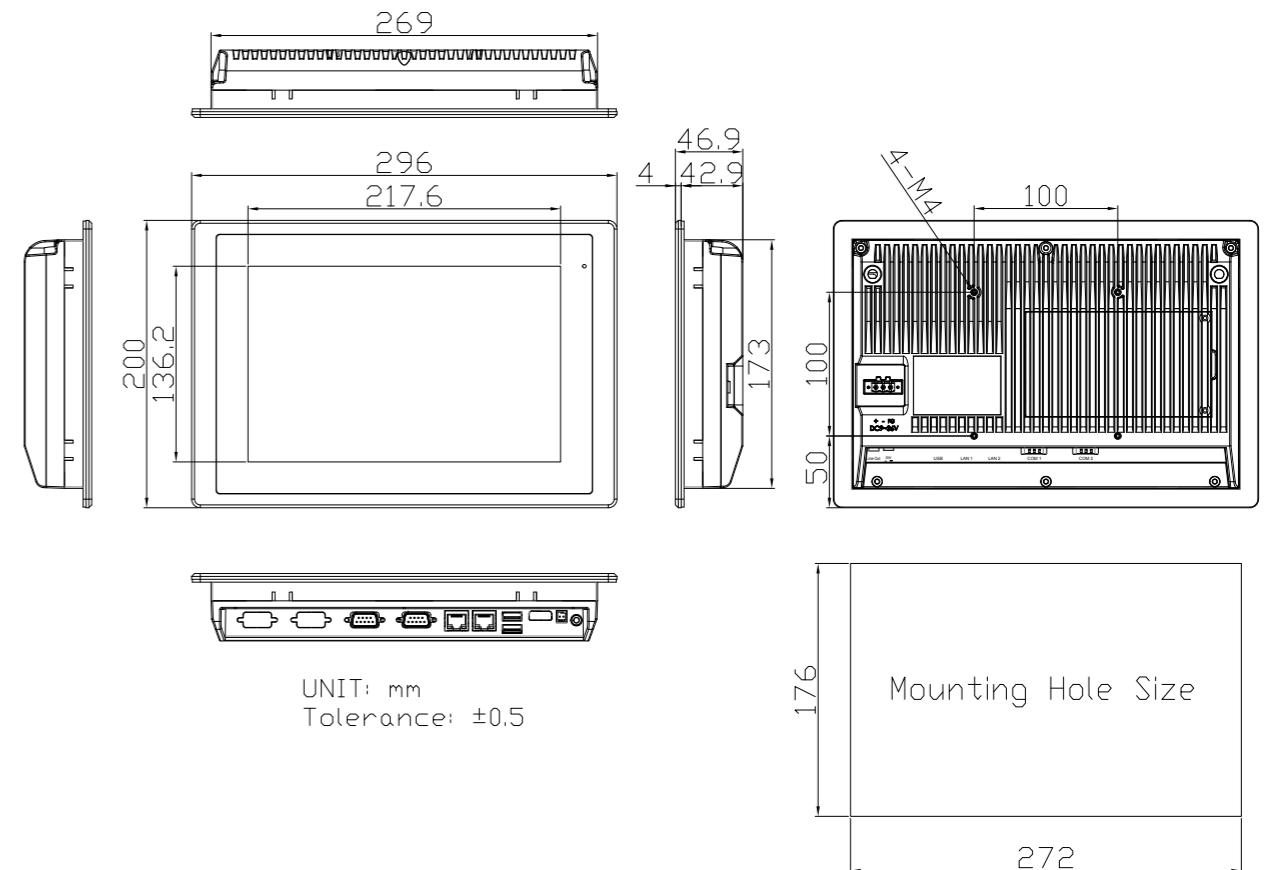
Storage Space	
HDD/SSD	1 x 2.5" SATA HDD bay for SATA HDD (Easy Accessible)
Others	1 x internal SD slot onboard

Expansion	
Expansion Slot	1 x Internal Mini-PCIe slot full size 1 x SIM card holder / Micro SD card reader

Display	Standard	High Brightness Optional
Display Type	10.1" TFT-LCD	10.1" TFT-LCD
Max. Resolution	1280 x 800	1280 x 800
Max. Color	16.7M	16.7M
Luminance (cd/m ²)	350	1000
View Angle	170(H) /170(V)	170(H) /170(V)
Contrast	800:1	1000:1
Backlight Lifetime	25,000 hrs	50,000 hrs

Touch Screen	
Type	Projected Capacitive Touch (For P model) Glass (For G model)
Interface	USB
Light Transmission(%)	Over 90%

Dimensions



Power	
Power Input	DC 9~36V
Power Consumption	ARCHMI-810P:20W (MAX)

Mechanical	
Construction	304 Stainless steel front bezel (Default) 316 Stainless steel front bezel (Optional) Aluminum back cover
Mounting	Panel mount, VESA mount 100 x 100
IP Rating	IP66 Compliant Front Bezel
Dimensions	296 x 200 x 46.9 mm
Net Weight	2.5 kg

Environmental	
Operating Temperature	0~50°C / -20~60°C (option)
Storage Temperature	-30~70°C
Humidity	10 to 95% @ 40°C, non- condensing
Certificate	CE/FCC Class A for Resistive Model CE/FCC Class A/EN 1672-2 for P/G/PH/GH Model

Operating System Support	
Windows 10 IoT Enterprise	

Ordering Information	
FABS-810P (Barebone)	10.1" WXGA fanless HMI barebone with Celeron N2930(1.83.GHz) CPU, 4GB DDR3L RAM, Projected Capacitive touch., 9~36VDC input with adapter, Stainless front bezel and Aluminum chassis.
FABS-810G (Barebone)	10.1" WXGA fanless HMI barebone with Celeron N2930 (1.83.GHz) CPU, 4GB DDR3L RAM, Protection Glass, 9~36V DC input with adapter, Stainless front bezel and Aluminum chassis.