

Features

- 12.1" Industrial Compact Size Panel PC
- Intel Apollo Lake N4200/ N3350 (option)
- On Board 4GB/ 8GB DDR3L 1600MHz
- Flat front panel touch screen
- IP66 compliant front panel
- Optional projected capacitive touchscreen support 7H anti-scratch surface
- DC 9~36V wide-ranging power input
- High Brightness 1,000 nits for option

Specifications

System	
CPU	Onboard Intel Apollo Lake N4200 (4 Core, 1.1GHz) / N3350 (2 Core, 1.1GHz) (option)
System Chipset	SoC
Memory	Onboard 4GB/ 8GB (option) DDR3L 1600MHz

I/O Port	
USB	2 x USB 3.0 type A
Serial / Parallel	1 x DB-9 RS-232/422/485, COM1 (Default RS-232) 1 x RS-232 DB-9, COM2
Audio	1 x Audio Line Out
LAN	2 x GbE LAN RJ-45
Power	1 x 3-pin DC power input terminal 1 x 2-pin connector for power on/off

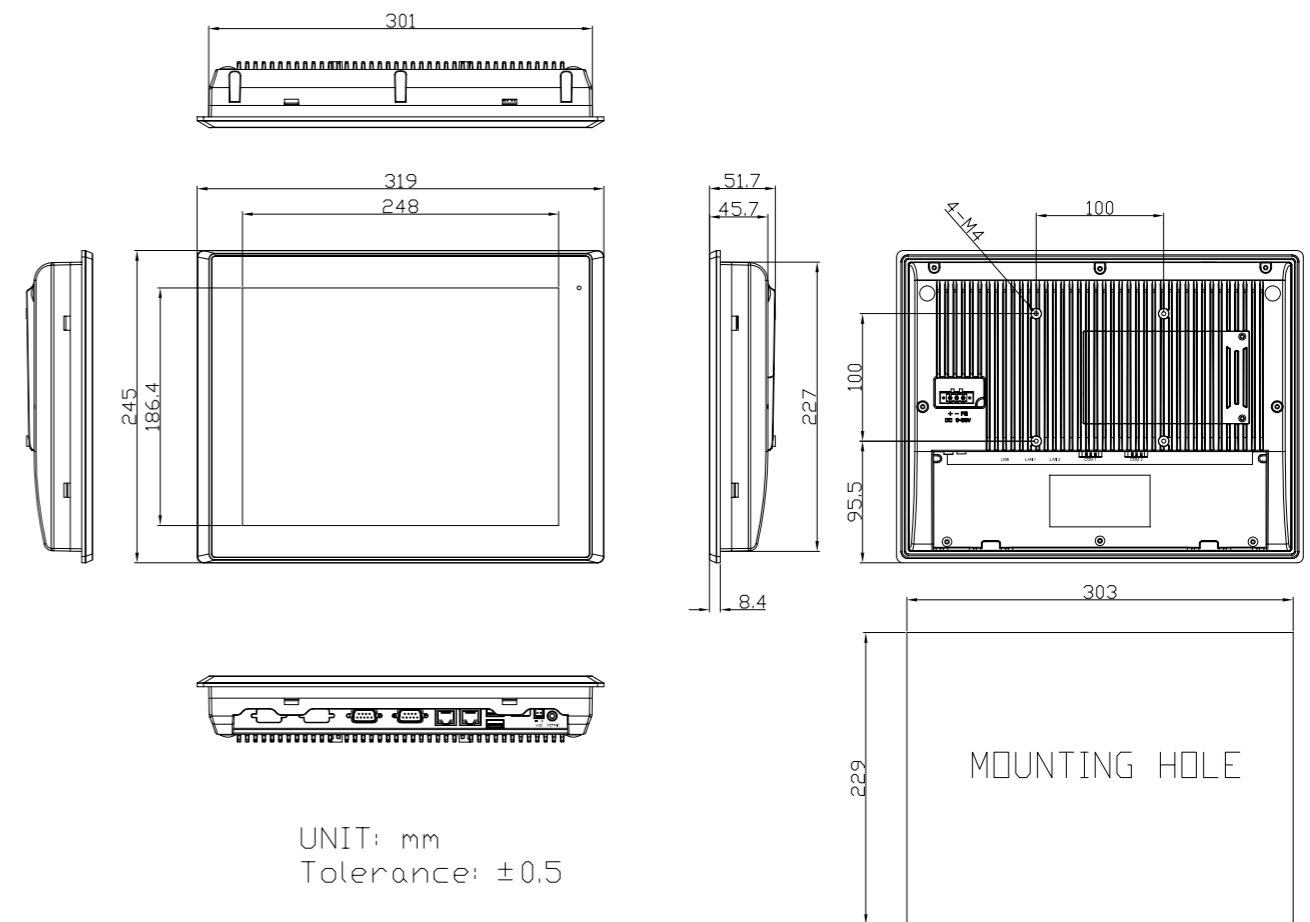
Option	
	VESA Stand
	4G LTE/Wi-Fi/BT
	4 x USB 2.0 type A(TB-528U4)
	4 x USB 2.0 type A+1 x Mini PCIe + 1 SIM slot (TB-528U4ME1)
	1 x COM(RS-232) + 2 x USB 2.0 (TB-528C1U2)
	1 x COM(RS-232) + 2 x USB 2.0 + 1 x Mini PCIe + 1 x Power Button (TB-528C1U2P1)
	2 x COM(RS-232) (TB-528C2)
	2 x COM(RS-232) + 1 x Mini-PCIe slot + 1 x SIM slot (TB-528C2ME1)
	2 x COM(RS-232/485, isolated) (TB-528C2I)
	2 x CAN(TB-528CAN2)
	1 x LAN + 2 x USB 2.0 (TB-528E1U2)
	1 x LAN + 2 x USB 2.0, 25W (TB-528NE1U2POE)
	UPS Battery 21W/10.8Wh/1.95Ah(3S1P)
	System is only allowed to build in either I/O board TB-528 series or UPS battery

Storage Space	
HDD	1 x 2.5" SATA HDD bay for SATA3 HDD (Easy Accessible)

Expansion	
Expansion Slot	1 x Internal Mini-PCIe slot full size 1 x SIM card holder / Micro SD card reader

Display	Standard		High Brightness Optional	
	12.1" TFT-LCD		12.1" TFT-LCD	
Display Type	800 x 600	1024 x 768	800 x 600	1024 x 768
Max. Resolution	262K	16.2M	16.2M	16.2M
Max. Color	450	500	1000	1000
Luminance (cd/m ²)	178(H)/178(V)	178(H)/178(V)	178(H)/178(V)	160(H)/140(V)
View Angle	1500:1	1000:1	700:1	700:1
Contrast	50,000 hrs	30,000 hrs	50,000 hrs	50,000 hrs
Backlight Lifetime				

Dimensions



Touch Screen	
Type	Resistive Touch (for AR Model) Projected Capacitive Touch (for AP Model) Glass (for AG model)
Interface	USB
Light Transmission(%)	Resistive Touch Window: over 80% Projected Capacitive Touch: over 90%

Power	
Power Input	DC 9~36V
Power Consumption	ARCHMI-812AP:33W (MAX)

Mechanical	
Color	RAL 9007
Construction	Aluminum die-casting chassis
Mounting	Panel Mount, VESA 100 x 100
Dimensions (WxHxD)	319mm x 245mm x 51.7mm
IP Rating	IP66 Compliant Front Bezel
Net Weight	2.8 kg

Environmental	
Operating Temperature	0~50°C / -20~60°C (option)
Storage Temperature	-30~70°C
Humidity	10 to 95%@ 40°C, non-condensing
Certificate	CE/FCC Class A

Operating System Support	
Windows 10 IoT Enterprise	

